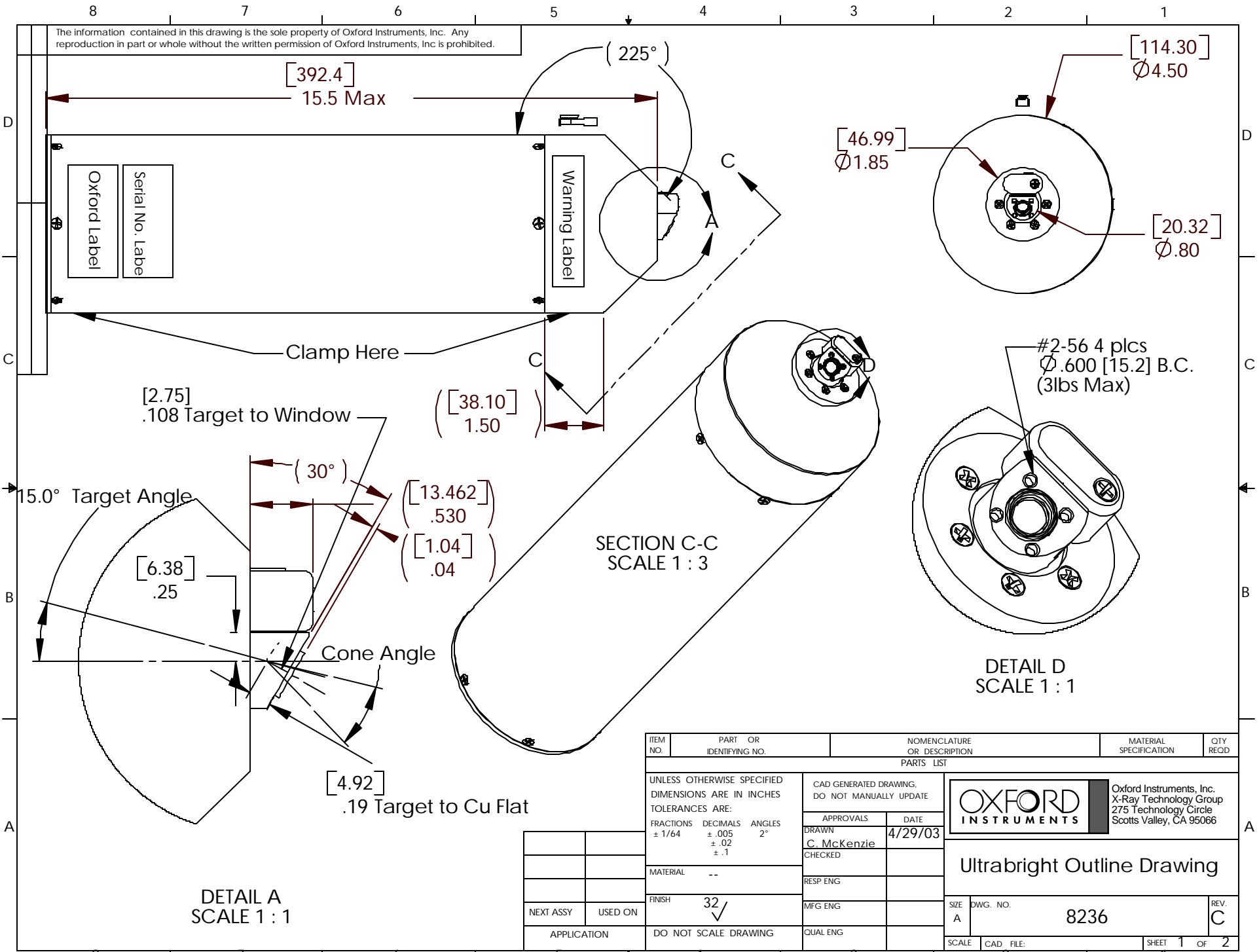


The information contained in this drawing is the sole property of Oxford Instruments, Inc. Any reproduction in part or whole without the written permission of Oxford Instruments, Inc is prohibited.



[2.75]  
.108 Target to Window

15.0° Target Angle

Cone Angle

[4.92]  
.19 Target to Cu Flat


DETAIL A  
SCALE 1 : 1

SECTION C-C  
SCALE 1 : 3

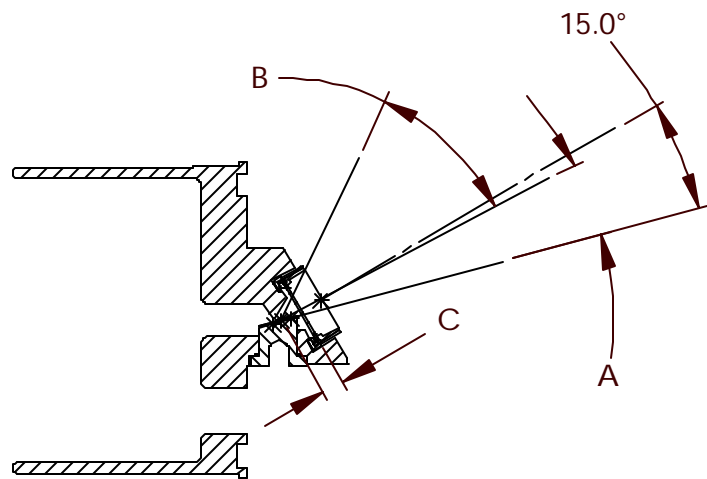
DETAIL D  
SCALE 1 : 1

#2-56 4 plcs  
Ø.600 [15.2] B.C.  
(3lbs Max)

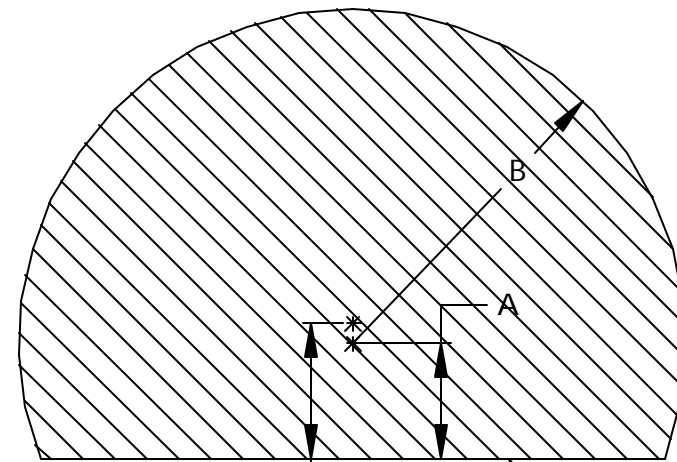
NEXT ASSY	USED ON
APPLICATION	

ITEM NO.	PART OR IDENTIFYING NO.	NOMENCLATURE OR DESCRIPTION	MATERIAL SPECIFICATION	QTY REQD
PARTS LIST				
UNLESS OTHERWISE SPECIFIED DIMENSIONS ARE IN INCHES TOLERANCES ARE:		CAD GENERATED DRAWING. DO NOT MANUALLY UPDATE		
FRACTIONS ± 1/64	DECIMALS ± .005	ANGLES 2° ± .1	APPROVALS	DATE
			C. McKenzie	4/29/03
			CHECKED	
			RESP ENG	
			MFG ENG	
			QUAL ENG	
MATERIAL --		 Oxford Instruments, Inc. X-Ray Technology Group 275 Technology Circle Scotts Valley, CA 95066		
FINISH 32 ✓		SIZE A DWG. NO. 8236		REV. C
DO NOT SCALE DRAWING		SCALE CAD FILE:		SHEET 1 OF 2

The information contained in this drawing is the sole property of Oxford Instruments, Inc. Any reproduction in part or whole without the written permission of Oxford Instruments, Inc is prohibited.



Radiation Pattern as Seen Normal to Window



15° to Window Centerline

Line Tangent to Target

Dimension	Description	Units	Spot Position		
			Farthest	Nominal	Nearest
A	Location of Radiation Cone Center	Degrees	10.6	12.9	16.4
B	Radius of Cone	Degrees	32.2	36.8	42
C	Window to Spot Distance	mm	4.47	3.14	1.82

ITEM NO.	PART OR IDENTIFYING NO.	NOMENCLATURE OR DESCRIPTION	MATERIAL SPECIFICATION	QTY REQD
PARTS LIST				
UNLESS OTHERWISE SPECIFIED DIMENSIONS ARE IN INCHES TOLERANCES ARE:		CAD GENERATED DRAWING, DO NOT MANUALLY UPDATE		
FRACTIONS ± 1/64	DECIMALS ± .005 ± .02 ± .1	ANGLES 2°	APPROVALS	DATE
MATERIAL --	FINISH 32 ✓	DO NOT SCALE DRAWING	DRAWN	
NEXT ASSY	USED ON	APPLICATION	CHECKED	
			RESP ENG	
			MFG ENG	
			QUAL ENG	
OXFORD INSTRUMENTS		Oxford Instruments, Inc. X-Ray Technology Group 275 Technology Circle Scotts Valley, CA 95066		
Radiation Pattern Tungsten Target		SIZE A	DWG. NO. 8236	REV. C
SCALE	CAD FILE:	SHEET 2 OF 2		